



CPS015 **026**

CPS020 **028**

CPS030 **030**

CPS033 **032**

CPS048S **034**

General Information

- Material** : CPS-Amide (PA6+G.F)
- Noise level** : 40dB(DIN EN 61672-1)
- Speed** : 6m/s
- Acceleration** : 15m/s²
- Temperature** : -30°C ~ +130°C
- Special production** : ESD, UV
- Certificate** : CE, ATEX(Ex), RoHs2

Value of Speed/Acceleration is subject to change according to cable's amount and travel length.

Calculation Table

Length of Cable Chain

$$: L = \frac{1}{2} \times L_s + L_p$$

Bending Radius

: Multiply 8~10 of the biggest cable

: Multiply 15~20 of the biggest hose

Dimension Table

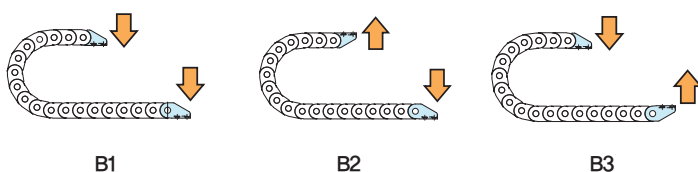
CPS Mini Chain	Pitch	Bending Radius(R)	Weight kg/m	Speed m/sec	Temperature °C	Size				Frame Type	Section - Composition
						A	B	C	D		
CPS015	15	18, 28, 38	0.100	6	-30 ~ +130	12.6	13	6	10		
			0.106			16.6		10			
			0.111			21.6		15			
			0.115			26.6		20			
CPS020	20	28, 38, 48	0.245	6	-30 ~ +130	24	20	15	14.5		
			0.260			29		20			
			0.285			39		30			
			0.310			49		40			
CPS030	30	38, 48, 75, 100	0.380	6	-30 ~ +130	29	26	15	19		
			0.400			39		25			
			0.420			49		35			
			0.440			64		50			
CPS033	33	35, 45, 75, 100, 120	0.550	6	-30 ~ +130	45	31	27	23		
			0.590			55		37			
			0.610			65		47			
			0.680			85		67			
			0.700					77			

Ordering

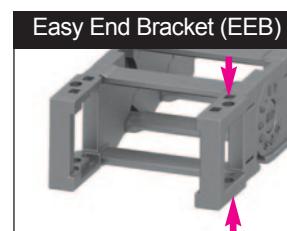
CPS 10 R28 B2 - 555L : (DV:2)

- Quantity of Divider(Link)
- Length(mm)
- Bracket Type : B1, B2, B3 : E (CPS033)
- Bending radius
- Inside width
- CPS Mini Cable Chain

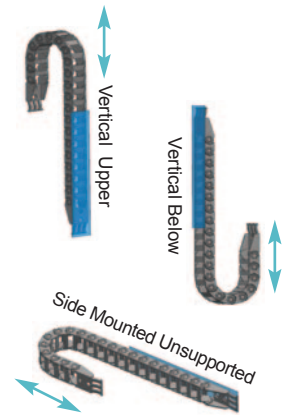
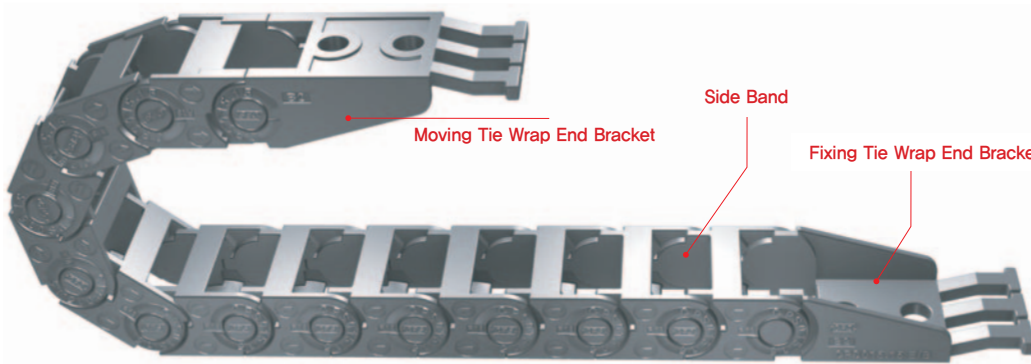
Bracket Type CPS015, CPS020, CPS030



There are fixing holes at upper and lower side of bracket.



CPS015



Calculation of the Chain Length

$$\left[L = \frac{L_s}{2} + L_p \right]$$

Other Length Restrictions

- Vertical Standing(Max) = 0.8m
- Vertical Hanging(Max) = 3.0m
- Side Mounted Unsupported(Max) = 0.2m

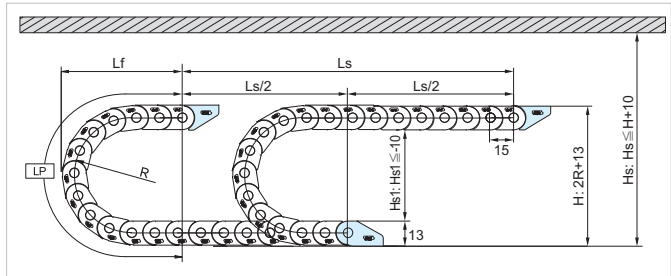
Ordering

CPS015. 10. R28/B2 – 555L

CPS Mini Cable Chain	Bending Radius	Length (mm)
Inside Width	Bracket Type :B1,B2,B3	

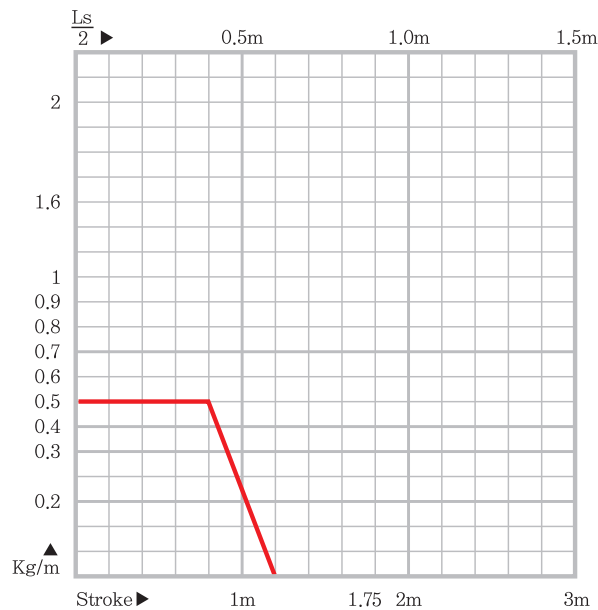
Layout of the Chain

Ls: Stroke Hs: Safe Space



Bending Radius(R)	Lp(Loop Length)	Lf(Loof Projection)	H(Moving Height)
18	117	55	49
28	148	65	69
38	180	75	89

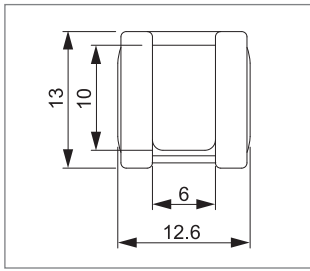
Unsupported Length



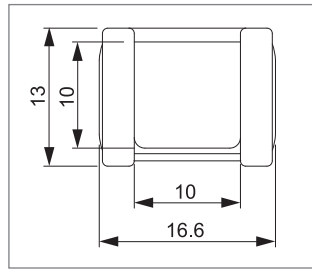
Cable Chain Bending Radius & Weight

Chain Type	Bending Radius (R)	Weight kg/m
CPS015.06	18, 28, 38	0.100
CPS015.10		0.106
CPS015.15		0.111
CPS015.20		0.115

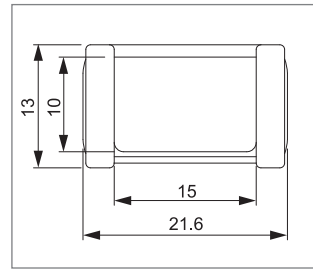
Chain Cross Section



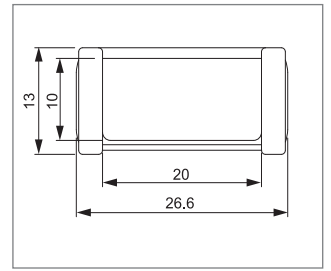
CPS015.06



CPS015.10

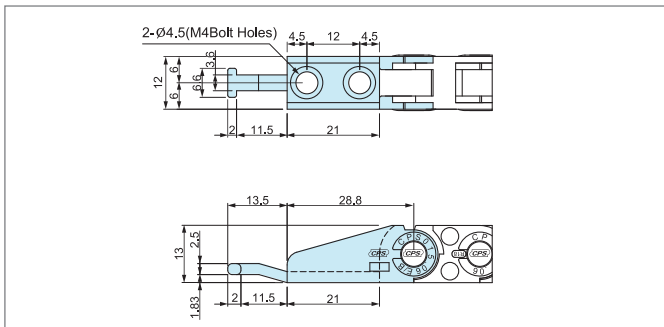


CPS015.15

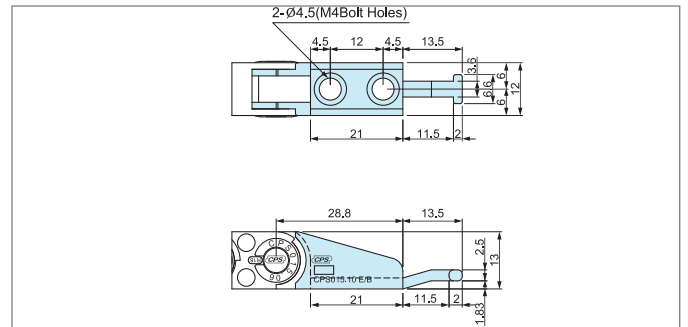


CPS015.20

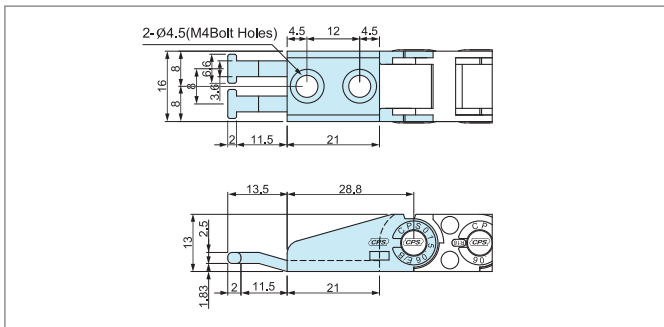
End Bracket(Tie Wrap Type)



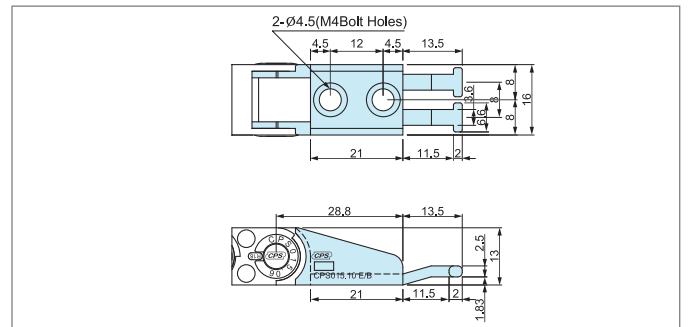
CPS015.06 Moving End



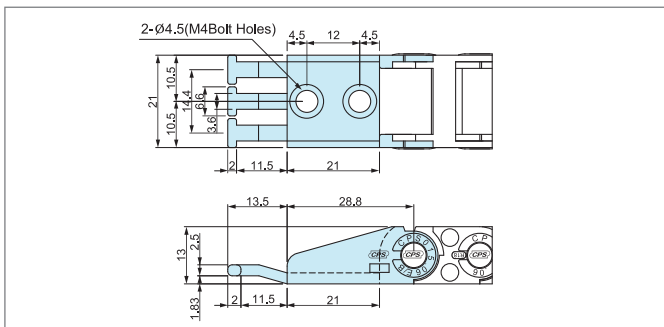
CPS015.06 Fixing End



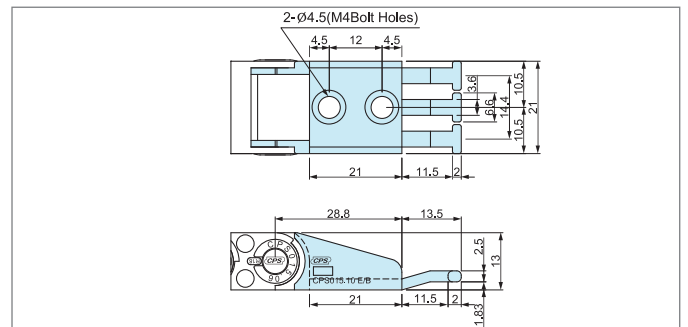
CPS015.10 Moving End



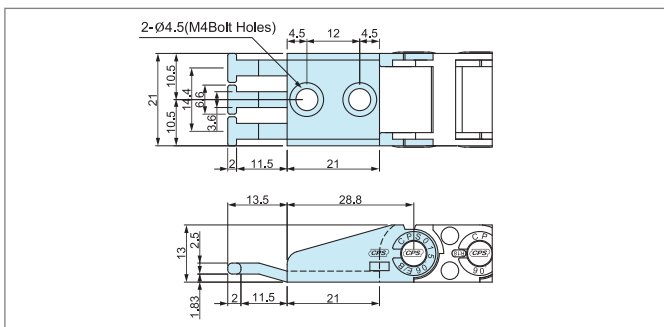
CPS015.10 Fixing End



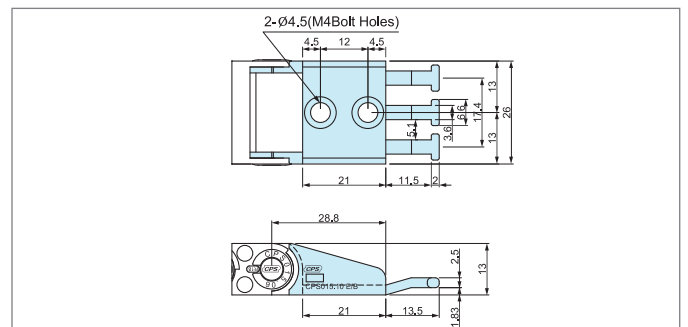
CPS015.15 Moving End



CPS015.15 Fixing End

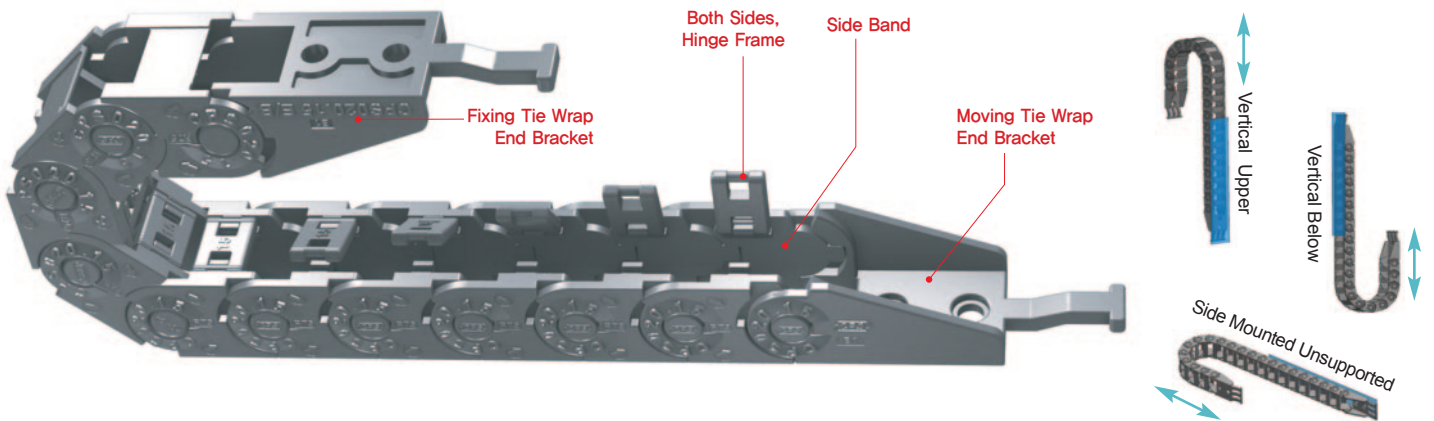


CPS015.20 Moving End



CPS015.20 Fixing End

CPS020



Calculation of the Chain Length

$$\left[L = \frac{L_s}{2} + L_p \right]$$

Other Length Restrictions

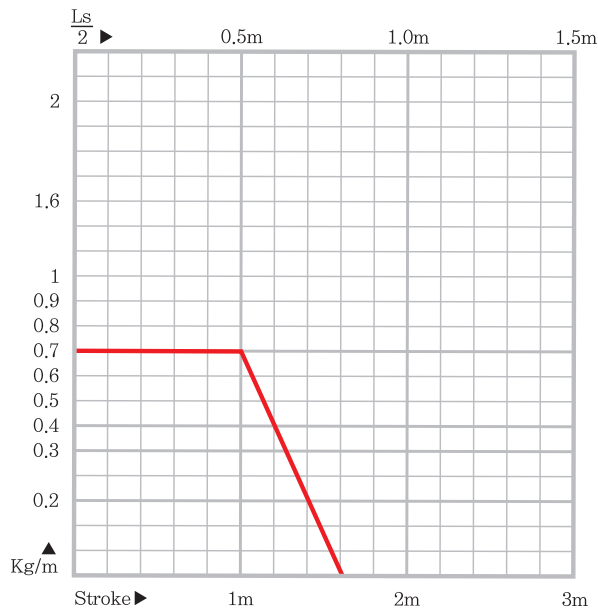
- Vertical Standing(Max) = 1.0m
- Vertical Hanging(Max) = 5.0m
- Side Mounted Unsupported(Max) = 0.5m

Ordering

CPS020. 15. R28/B2-560L

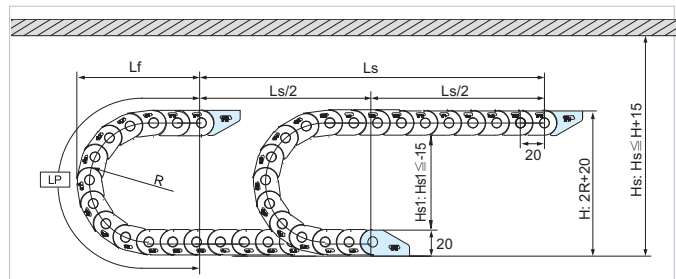
CPS Mini Cable Chain	Bending Radius	Length (mm)
Inside Width	Bracket Type :B1,B2,B3	

Unsupported Length



Layout of the Chain

Ls: Stroke Hs: Safe Space

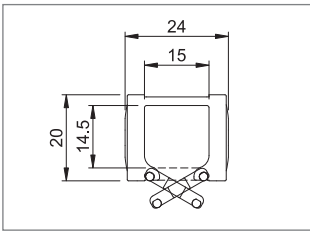


Bending Radius(R)	Lp(Loop Length)	Lf(Loop Projection)	H(Moving Height)
28	168	78	76
38	200	88	96
48	231	98	116

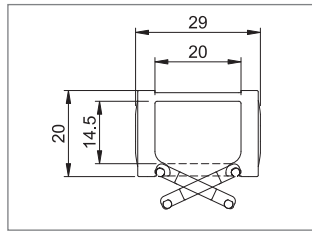
Cable Chain Bending Radius & Weight

Chain Type	Bending Radius (R)	Weight kg/m
CPS020.15	28, 38, 48	0.245
CPS020.20		0.260
CPS020.30		0.285
CPS020.40		0.310

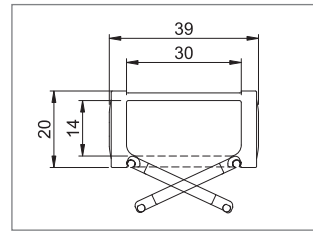
Chain Cross Section



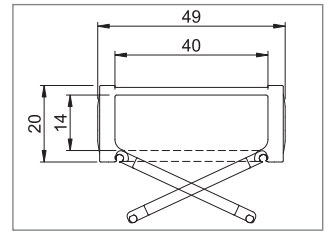
CPS020.15
Hinge Frame at lower side



CPS020.20
Hinge Frame at lower side

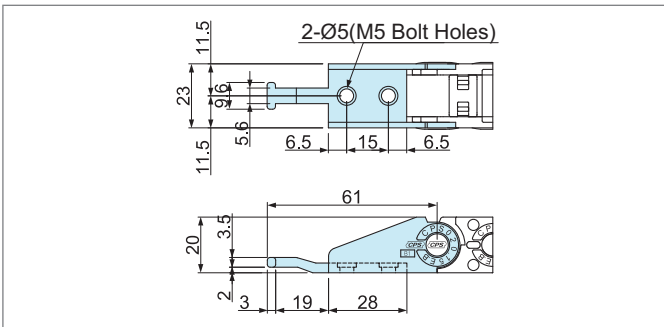


CPS020.30
Hinge Frame at lower side

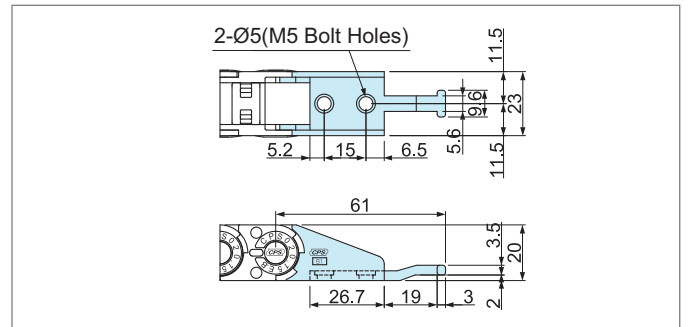


CPS020.40
Hinge Frame at lower side

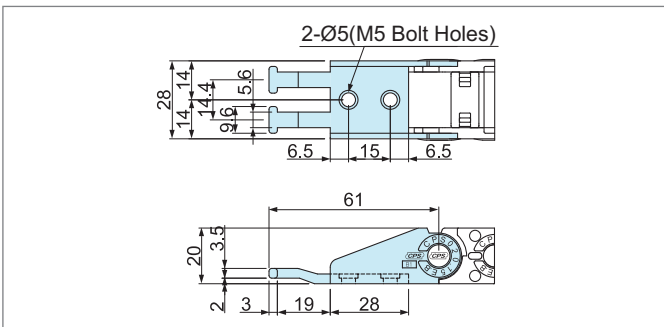
End Bracket (Tie Wrap Type)



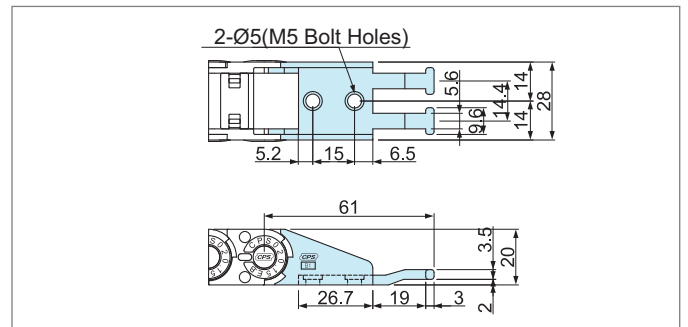
CPS020.15 Moving End



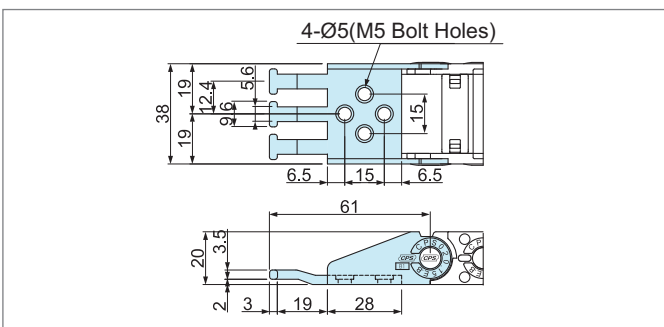
CPS020.15 Fixing End



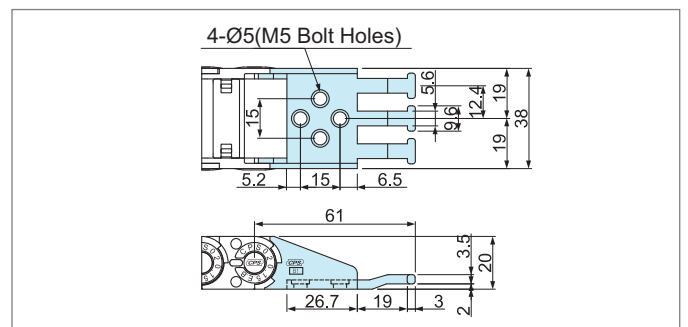
CPS020.20 Moving End



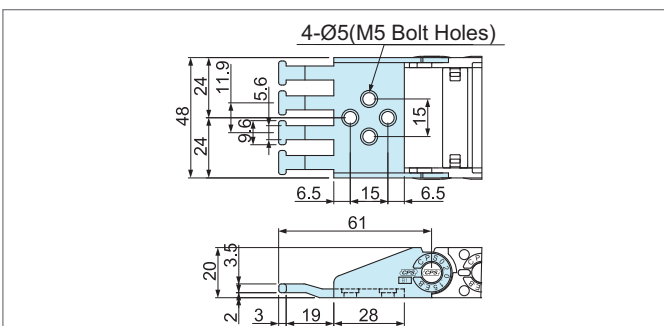
CPS020.20 Fixing End



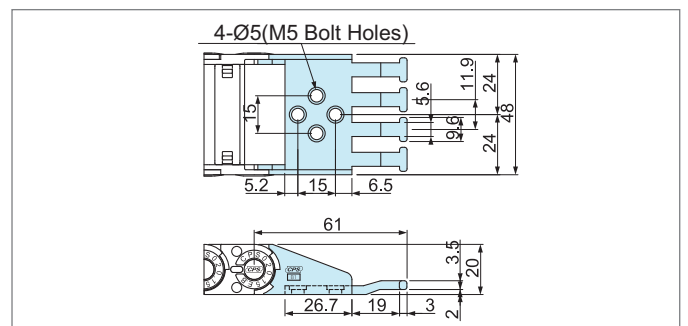
CPS020.30 Moving End



CPS020.30 Fixing End

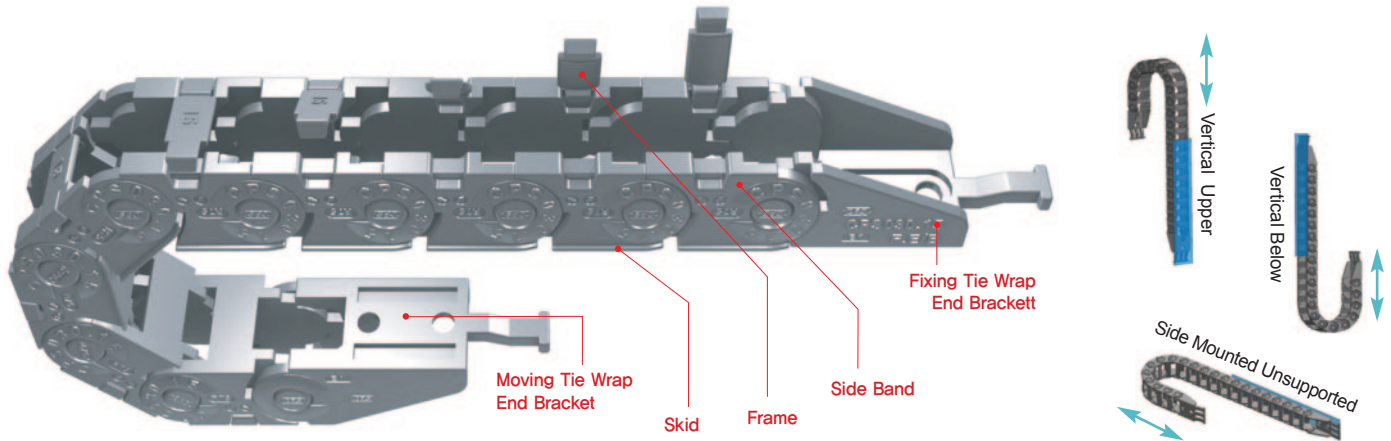


CPS020.40 Moving End



CPS020.40 Fixing End

CPS030



Calculation of the Chain Length

$$\left[L = \frac{L_s}{2} + L_p \right]$$

Other Length Restrictions

- Vertical Standing(Max) = 1.5m
- Vertical Hanging(Max) = 10.0m
- Side Mounted Unsupported(Max) = 0.6m

Ordering

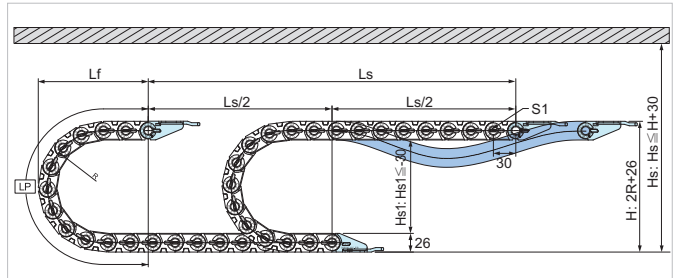
※ DV: CPS030, 033 ~

CPS030. 15. R38/B2-570L : (DV:2)

CPS Mini Cable Chain	Bending Radius	Length (mm)	Quantity of Divider (Link)
Inside Width	Bracket Type :B1,B2,B3		

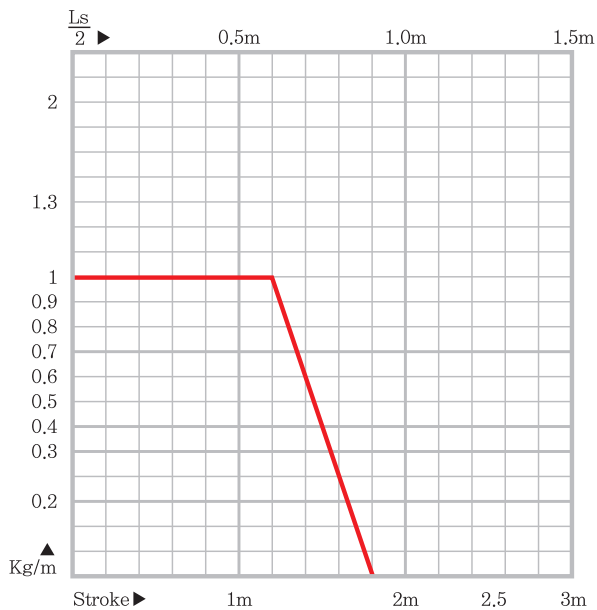
Layout of the Chain

Ls: Stroke Hs: Safe Space



Bending Radius(R)	Lp(Loop Length)	Lf(Loop Projection)	H(Moving Height)
38	240	110	101
48	271	119	121
75	356	148	175
100	434	173	225

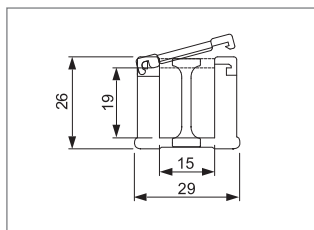
Unsupported Length



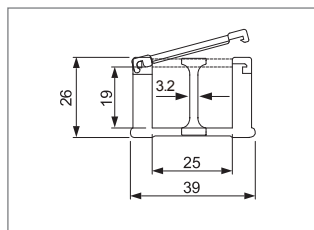
Cable Chain Bending Radius & Weight

Chain Type	Bending Radius(R)	Weight kg/m
CPS030.15	38, 48, 75, 100	0.38
CPS030.25		0.40
CPS030.35		0.42
CPS030.50		0.44

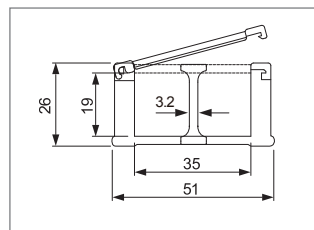
Chain Cross Section



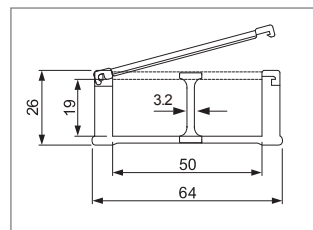
CPS030.15
Hinge Frame at lower side



CPS030.25
Hinge Frame at lower side

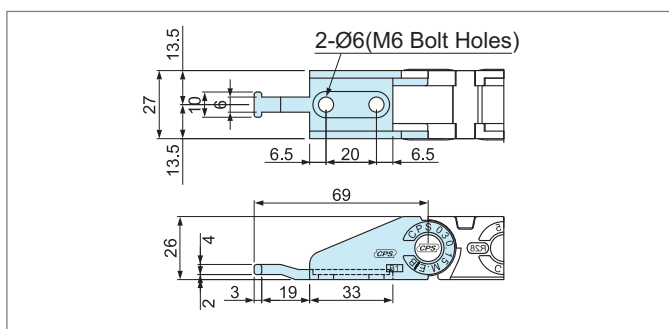


CPS030.35
Hinge Frame at lower side

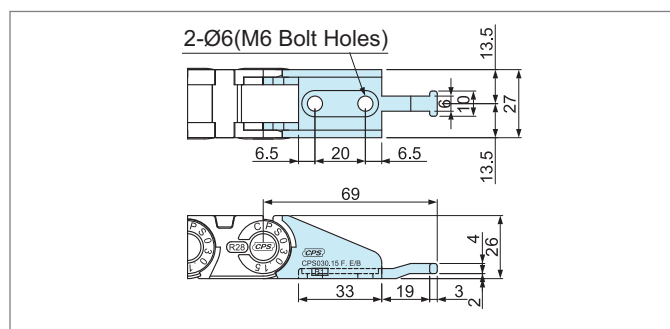


CPS030.50
Hinge Frame at lower side

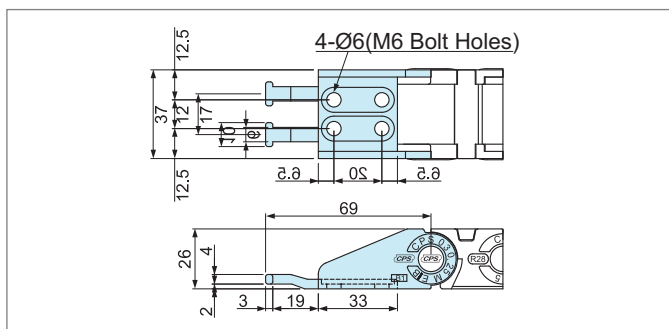
End Bracket(Tie Wrap Type)



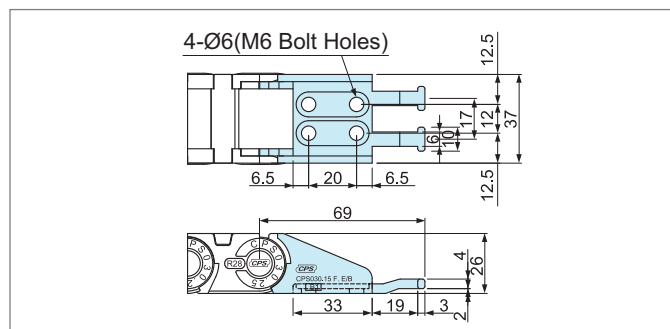
CPS030.15 Moving End



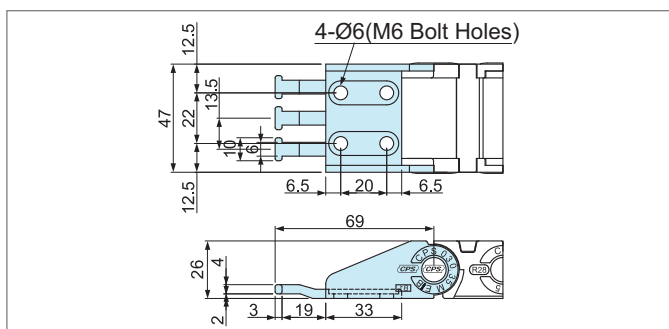
CPS030.15 Fixing End



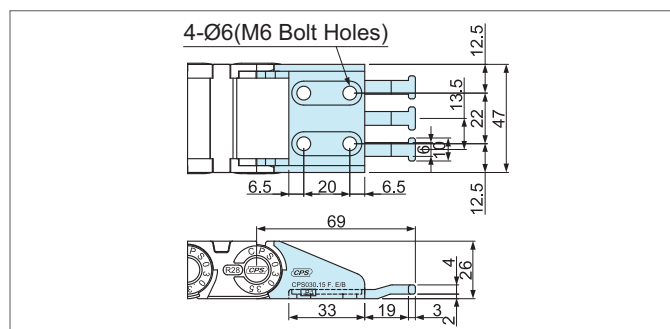
CPS030.25 Moving End



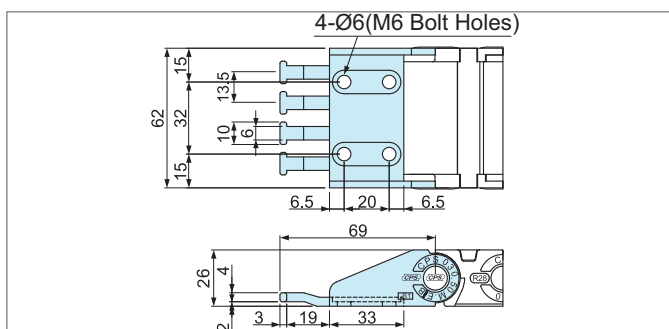
CPS030.25 Fixing End



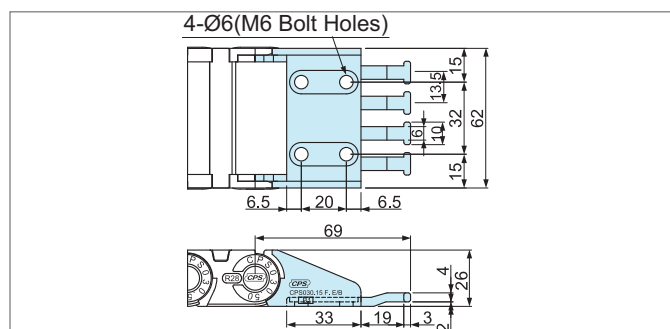
CPS030.35 Moving End



CPS030.35 Fixing End

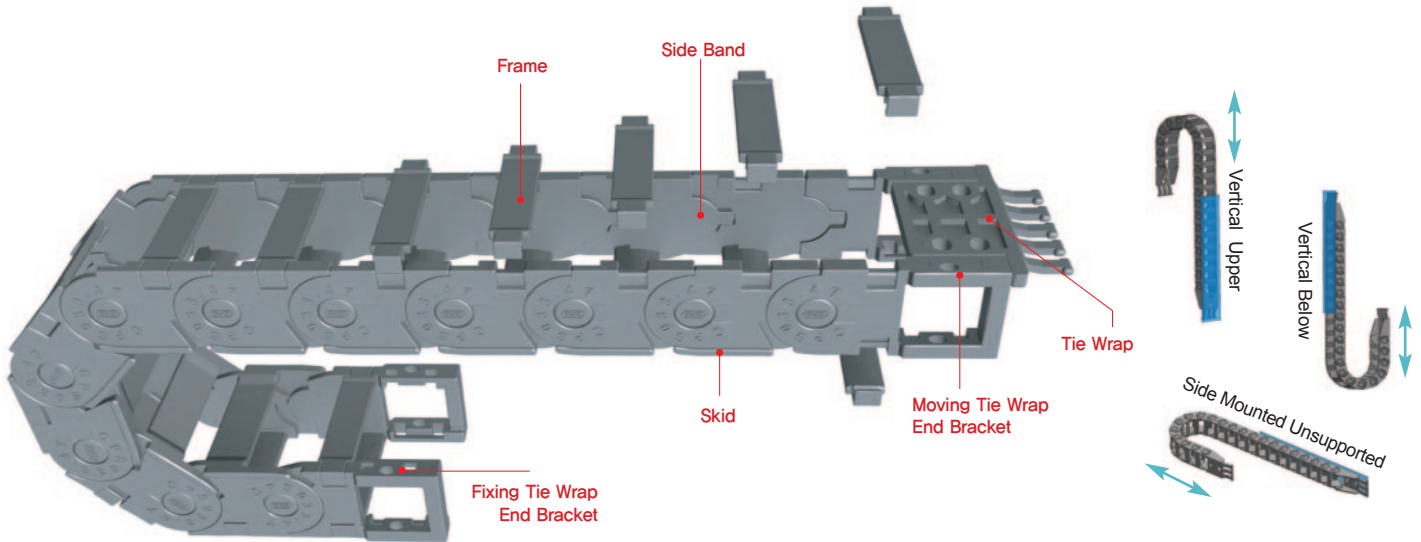


CPS030.50 Moving End



CPS030.50 Fixing End

CPS033



Calculation of the Chain Length

$$\left[L = \frac{L_s}{2} + L_p \right]$$

Other Length Restrictions

- Vertical Standing(Max) = 1.5m
- Vertical Hanging(Max) = 10.0m
- Side Mounted Unsupported(Max) = 0.6m

Ordering

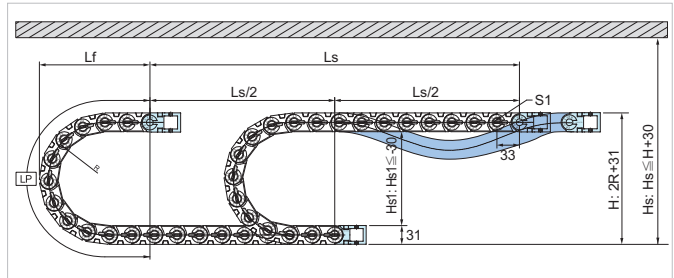
※ DV: CPS030, 033 ~

CPS033. 27. R28/ E- 550L : (DV:2)

CPS Mini Cable Chain	Bending Radius	Length (mm)	Quantity of Divider (Link)
Inside Width	Bracket Type :E		

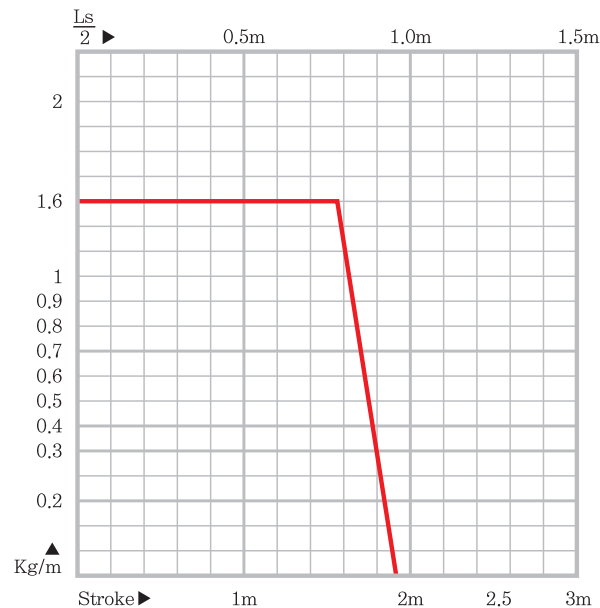
Layout of the Chain

Ls: Stroke Hs: Safe Space

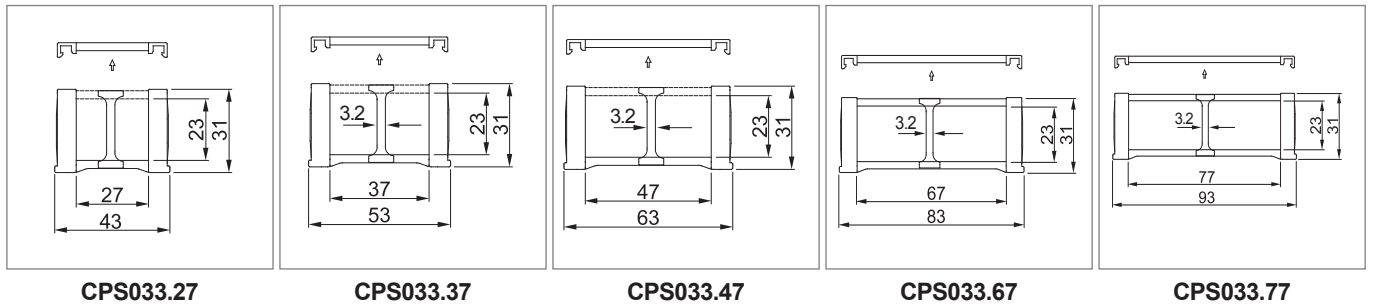


Bending Radius(R)	Lp(Loop Length)	LF(Loop Projection)	H(Moving Height)
35	242	117	101
45	274	127	121
75	368	157	181
100	446	182	231
120	509	202	271

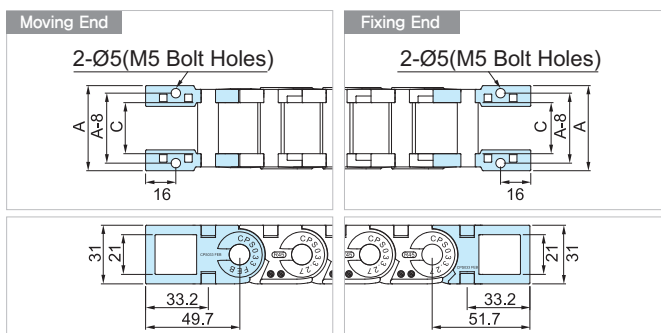
Unsupported Length



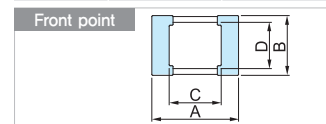
Chain Cross Section



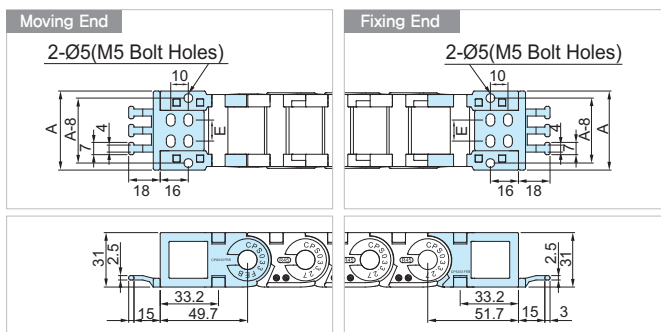
Easy End Bracket



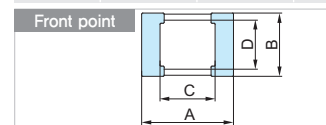
Chain Type	A Width(Outer)	B Height(Outer)	C Height(Outer)	D Height(Inner)	Hole Type
CPS033	45	31	27	23	M5 Bolt Holes
	55		37		
	65		47		
	85		67		
	95		77		



Easy End Bracket(Tie Wrap Type)

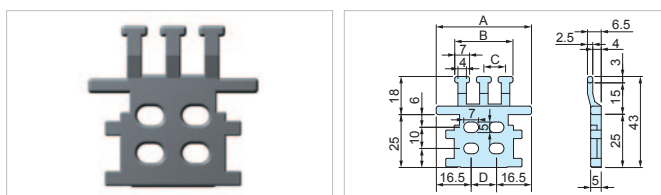


Chain Type	A Width(Outer)	B Height(Outer)	C Frame	D Height(Inner)	E Hole width	Hole Type
CPS033	45	31	27	23	12	M5 Bolt Holes
	55		37		22	
	65		47		32	
	85		67		52	
	95		77		62	



Tie Wrap(TW)

Tie wrap is to prevent damage of the cable and hose from twisting & pulling movements. It can be used as assembled with bracket or separated from the bracket at end position of chain.



Chain Type	Ordering No.	A	B	C	D
CPS033	S-TW033/20CR.27	45.0	27.5	10.25	12.0
	S-TW033/20CR.37	55.0	41.0	8.50	22.0
	S-TW033/20CR.47	65.0	48.0	10.00	32.0
	S-TW033/20CR.67	85.0	68.0	10.00	52.0
	S-TW033/20CR.77	95.0	78.0	8.87	62.0

CPS048S



Calculation of the Chain Length

$$\left[L = \frac{L_s}{2} + L_p \right]$$

Ordering

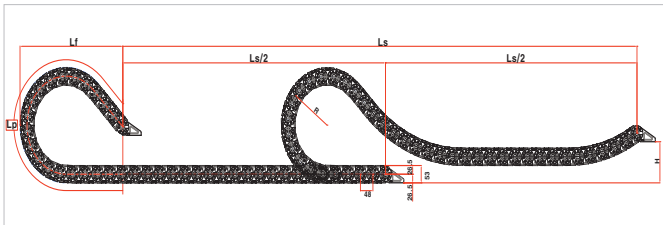
※ DV: CPS030, 033 ~

CPS048. 27. R28/B2-550L : (DV:2)

CPS Mini Cable Chain	Bending Radius	Length (mm)	Quantity of Divider (Link)
	Inside Width	Bracket Type :B1,B2,B3	

Layout of the Chain

Ls: Stroke Hs: Safe Space

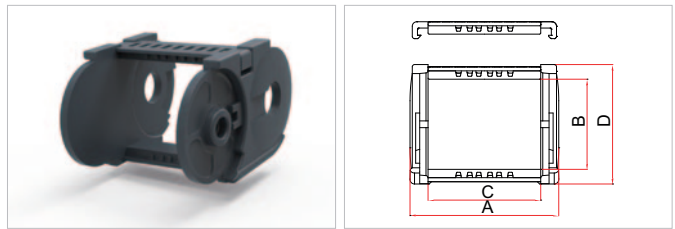


R	Lp	LF	H
Bending Radius	Loop Length	Loof Projection	Moving Height
150	964	395	145

Other Length Restrictions

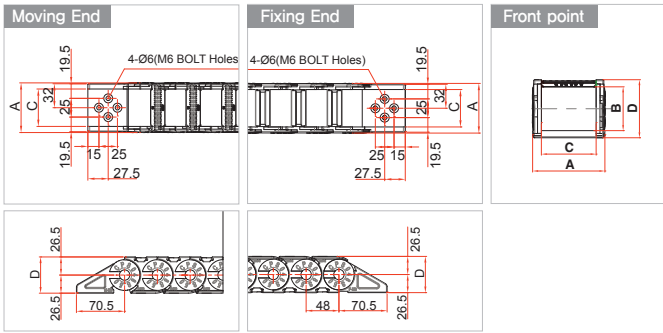
Vertical Standing(Max)	= 1.5m
Vertical Hanging(Max)	= 10.0m
Side Mounted Unsupported(Max)	= 0.6m

Chain Cross Section



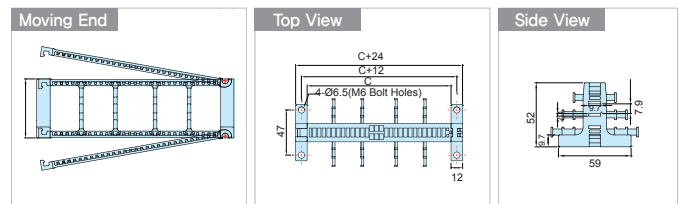
Chain Type	A	B	C	D	Weight kg/m
	Width(Outer)	Height(Outer)	Height(Outer)	Height(Inner)	
CPS048S	66	40	50	53	1.17

Easy End Bracket



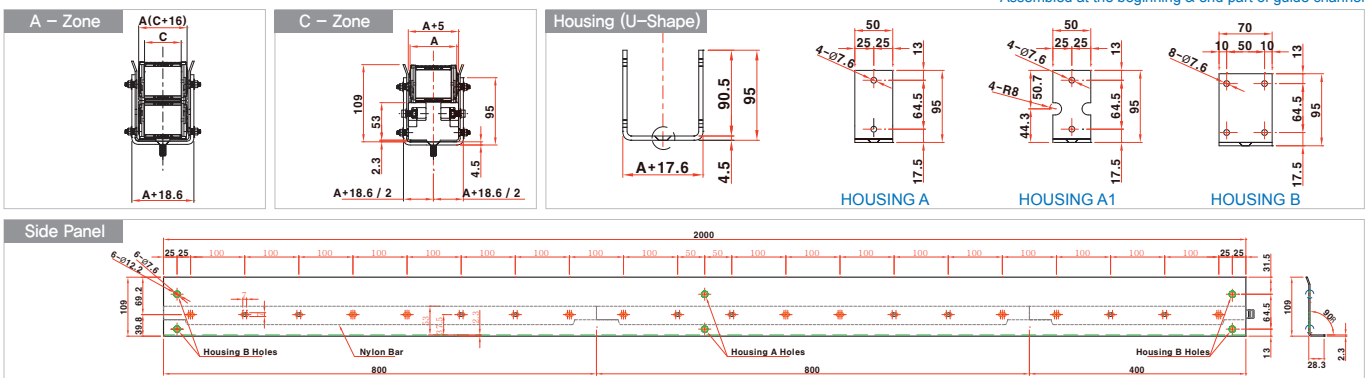
Chain Type	A	B	C	D	Hole Type
	Width(Outer)	Height(Outer)	Height(Outer)	Height(Inner)	
CPS048S	66	40	50	53	M8 Bolt Holes

System Tie Wrap (STW)



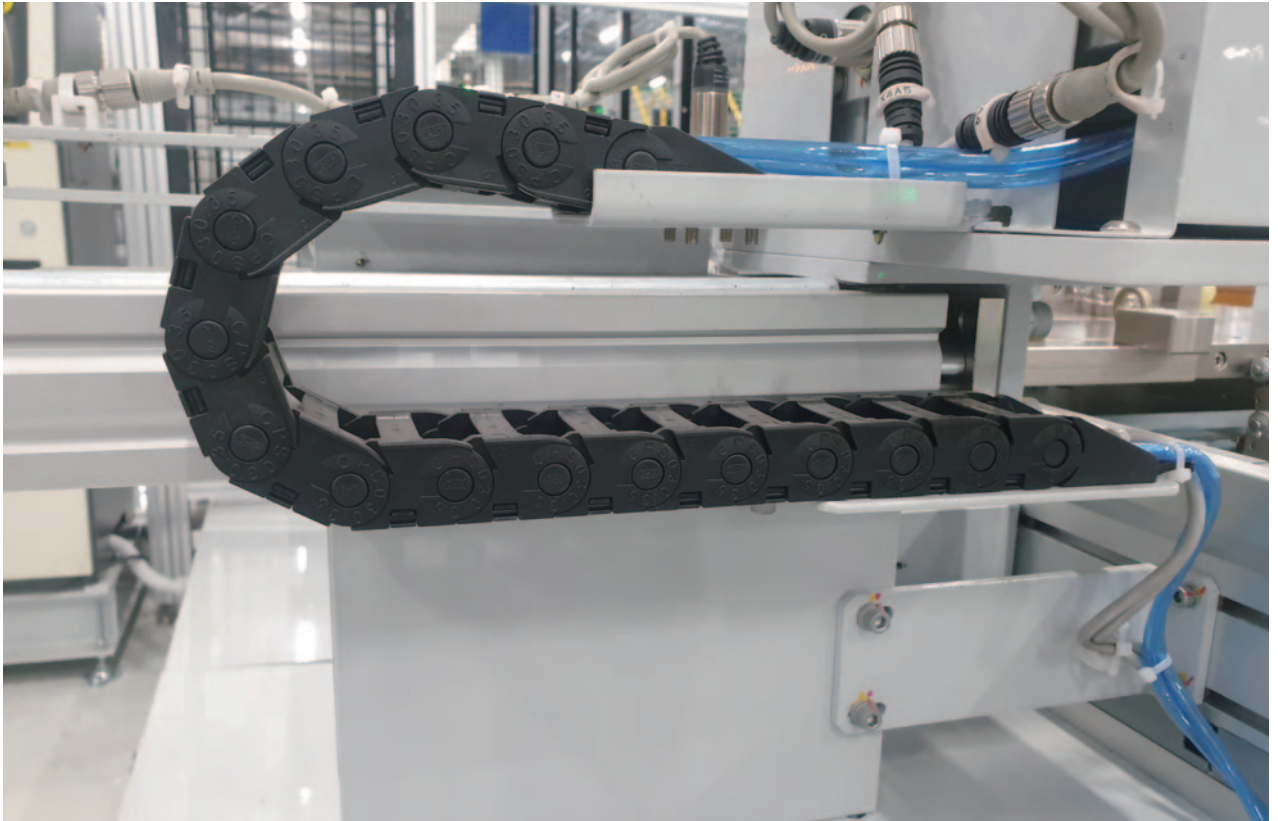
Chain Type	Ordering No.	C Frame	Hole Type
CPS048S	S-TW.EB035.50	50	M6 Bolt Holes

Guide Channel

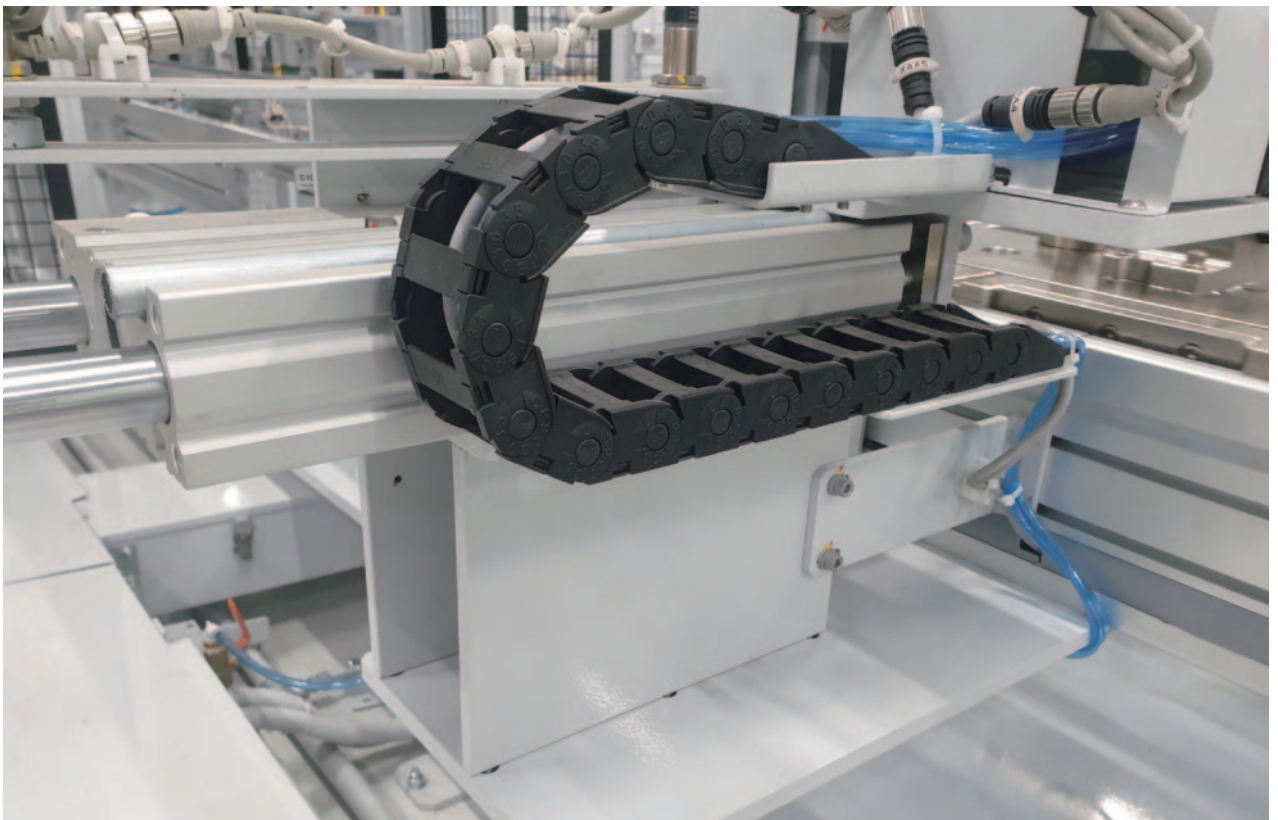


Assembled at the beginning & end part of guide channel

Product Application



CPS030



CPS030